



F450T UV Lamp System Parts Listing

Document No. 588621 Revision G, dated February 2015

© Copyright 2011-2015 Heraeus Noblelight America LLC
All Rights Reserved.

Heraeus Noblelight America LLC
910 Clopper Road
Gaithersburg, MD 20878-1357 USA
301-527-2660 • FAX 301-527-2661

Heraeus Noblelight America LLC reserves the right to make changes without prior announcement.

F450T REPLACEMENT PARTS

This document replaces any parts listings that may be contained within the F450T Installation, Operation, and Maintenance Manual.

Contained within this document are the part numbers for your genuine Heraeus UV parts. Heraeus Noblelight America LLC (formerly Fusion UV Systems) received full ISO certification in 1993 and we maintain that certification today to the ISO 9001:2008 standard, which underscores our commitment to providing the highest quality components, systems, support, training, process development, and after sales service.

For the most current Replacement Parts Listing for the F450T system, please visit:

http://www.fusionuv.com/F450T_Parts_listing.aspx

On-Line Store

Customers can now place parts orders online*. Our Web Store provides a new level of efficiency and convenience and features:

- 24/7 access
- fully secure website
- pictorial catalog of parts
- ability to review open or closed parts orders, invoices, and returns
- ability to track your parts shipments
- A discount is given for ALL parts ordered online

If you are not yet registered for the Web Store but would like to do so, please contact Sales Support on 1-301-990-8600 or salesupport.hna.uvp@heraeus.com.

* Only customers who place orders directly with Heraeus Noblelight America LLC may register for the online store. If you currently order parts through a local Heraeus Noblelight distributor, please contact them directly for all parts orders.

Customer Support

The following groups within Heraeus Noblelight America LLC are available to provide customer support.

Sales Support

The Sales Support group is responsible for the processing of domestic and international quotation requests as well as the purchase orders of spare parts, systems, and online orders.

Contact Sales Support at salesupport.hna.uvp@heraeus.com.

Technical Service

The Technical Service group is responsible for worldwide after sales support including repair services whether returned to a Heraeus Noblelight Service Center or at the customer site. This group also provides new equipment commissioning, maintenance and operator training, telephone/email/fax support, maintenance programs such as multi-level service contracts, and certified rebuilt equipment. Our service staff averages nearly 16 years of hands-on experience with Fusion UV equipment!

Contact Technical Services at techservice.hna.uvp@heraeus.com.

Applications Engineering

The Applications Engineering group concentrates on the optimization of a customer's UV process or proposed process and in assisting customers with troubleshooting of their UV curing process. Their expertise includes system selection and configuration; determination of system size, lamp type, and optics; machine design concepts, integration; and air handling systems and measurement (radiometry and thermometry).

This group oversees and operates the Applications Lab in which processes can be developed, demonstrated, or refined using any of a wide range of UV exposure equipment available, including all lamp and bulb types.

Contact Applications Engineering at info.hna.uvp@heraeus.com.

Irradiator Models



Figure 45: I250 and I250B Irradiators

The various I250-series irradiator models manufactured by Heraeus Noblelight are listed below.

Irradiator Model	Connectors	Air Delivery
I250	Front Connections	Top Connect Plenum
I251	Top Connections	Top Connect Plenum
I252	Front Connections	Rear Connect Plenum
I256	Front Connections	Rear Connect Plenum with alignment slots for tower mounting
I250B	Front Connections	Integral blower

PM Kits

There are two types of Irradiator Preventive Maintenance kits available: Basic and Deluxe. The Basic PM kit contains a UV bulb, RF screen, and R500 reflector. This kit is for the routine maintenance inspections. The Deluxe PM kit contains UV bulb, RF screen, R500 reflector, magnetron pair, photodetector, and pressure switch. This kit is for a complete irradiator rebuild.

Irradiator Basic PM Kits

Description	Heraeus Part Number
I250 Basic PM kit, contains 9 mm UV bulb (BL9H7), QCS RF screen kit, and QCS R500 swept reflector kit	591205
I250 Basic PM kit, contains 9 mm UV bulb (BL9D7), QCS RF screen kit, and QCS R500 swept reflector kit	591206

Irradiator Deluxe PM Kits

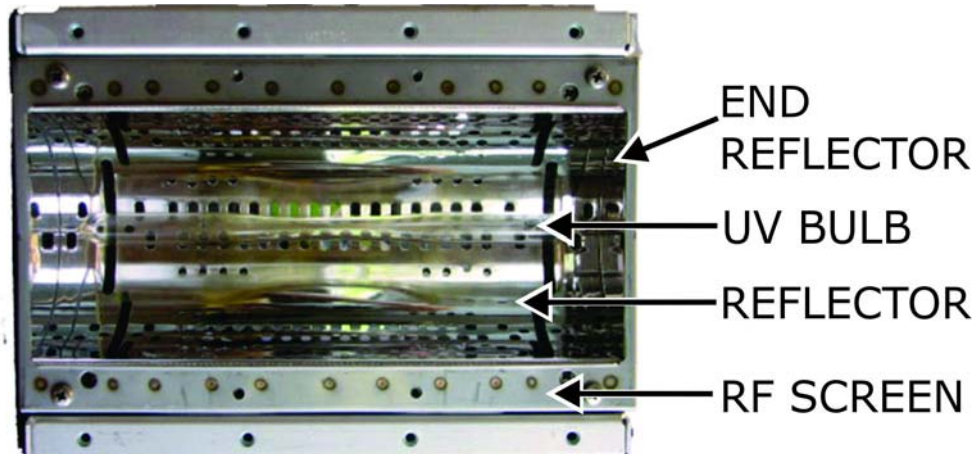
Description	Heraeus Part Number
I250 Deluxe PM kit, contains 9 mm H bulb (BL9H7), QCS RF screen kit, QCS R500 swept reflector kit, I25x magnetron kit, photodetector, and pressure switch	591225
I250 Deluxe PM kit, contains 9 mm D bulb (BL9D7), QCS RF screen kit, QCS R500 swept reflector kit, I25x magnetron kit, photodetector, and pressure switch	591226

I250 Series Irradiator Parts Lists

I250-series Bulb Parts Numbers

Bulb Type	Description	Heraeus Part Number
H bulb	Bulb, UV, BL9H7, 9 mm single bulb (standard)	558492
	Bulb Kit, 10", BL9H7, 9 mm, 1 bulb *	558502
	Bulb Kit, 10", BL9H7, 9 mm, 2 bulbs *	570262
	Bulb Kit, 10", BL9H7, 9 mm, 3 bulbs *	570272
D bulb	Bulb, UV, BL9D7, 9 mm single bulb (optional)	558494
	Bulb Kit, 10", BL9D7, 9 mm, 1 bulb *	558504
	Bulb Kit, 10", BL9D7, 9 mm, 2 bulbs *	570264
	Bulb Kit, 10", BL9D7, 9 mm, 3 bulbs *	570274
V bulb	Bulb, UV, BL9V7, 9 mm single bulb (optional)	558497
	Bulb Kit, 10", BL9V7, 9 mm, 1 bulb *	558507
	Bulb Kit, 10", BL9V7, 9 mm, 2 bulbs *	570267
	Bulb Kit, 10", BL9V7, 9 mm, 3 bulbs *	570277
H+ bulb	Bulb, UV, BL9H+, 9 mm single bulb (optional)	558491
	Bulb Kit, 10", BL9H+, 9 mm, 1 bulb *	558501
	Bulb Kit, 10", BL9H+, 9 mm, 2 bulbs *	570261
	Bulb Kit, 10", BL9H+, 9 mm, 3 bulbs *	570271
A bulb	Bulb, UV, BL9A7, 9 mm single bulb (optional)	558493
	Bulb Kit, 10", BL9A7, 9 mm, 1 bulb *	558503
Q bulb	Bulb, UV, BL9Q7, 9 mm single bulb (optional)	558498
	Bulb Kit, 10", BL9Q7, 9 mm, 1 bulb *	558508
M bulb	Bulb, UV, BL9M7, 9 mm single bulb (optional)	558495
	Bulb Kit, 10", BL9M7, 9 mm, 1 bulb *	558505
Lab Kit	Bulb Lab Kit (contains one each of BL9H7, BL9D7, BL9V7)*	570353

* Bulb kits contain bulb(s), latex glove, alcohol swab, RF screen screws, and instructions.

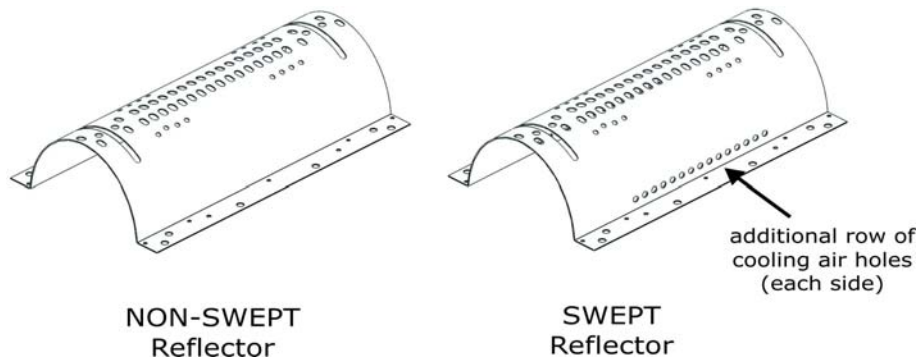


Irradiator Components, Bottom view

I250-series Reflector Part Numbers

Reflector Type	Description	Heraeus Part Number
End	End reflector, R500 (1 piece) (standard)	29834
	End Reflector Kit, R500 (1 pair), "209" hole location (includes gaskets)	554253
R500	Reflector assembly kit, R500, swept (includes R500 main QCS reflector, two R500 end reflectors and gaskets) (see note)	581792
	Reflector assembly kit, R500, non-swept (includes R500 main QCS reflector, 2 R500 end reflectors and gaskets) (see note)	581791
Dichroic	Reflector assembly kit, Dichroic, non-swept (cold/R500) (includes dichroic main QCS reflector, 2 R500 end reflectors and gaskets) (see note)	589991
Dichroic Plus	Reflector assembly kit, Dichroic Plus, non-swept (cold/R500) (includes dichroic main QCS reflector, 2 R500 end reflectors and gaskets), I25x	80121747
	Reflector assembly kit, Dichroic Plus, non-swept "209" (cold/R500) (includes dichroic main QCS reflector, 2 R500 "209" end reflectors and gaskets), I25x	80122230
Gaskets	RF gasket kit	32933UV

NOTE: Reflector type is specified at the time of purchase. Swept reflectors are designed to direct ambient air flow away from the UV bulb and reflector. If you plan to replace a non-swept reflector with a swept reflector, you must verify that your cooling blower is adequately sized. Refer to the cooling requirements contained within the Product Manual. If your blower does not meet the cooling requirements for all connected lamp housings, you must increase the capacity of your cooling system. For assistance, consult Heraeus Noblelight Technical Services.



Non-Swept vs. Swept Reflectors

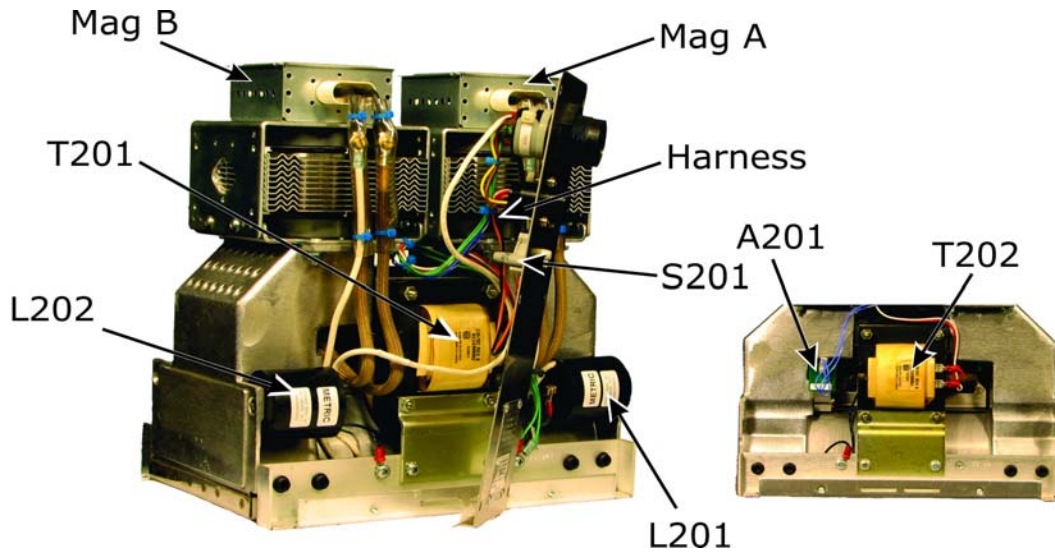
As shown in the Figure above, swept-type reflectors contain one additional row of cooling air holes per side. Swept reflectors help reduce fouling from contamination present in the curing zone under the lamp.

There is no need to use swept-type reflectors in quartz window or F10T/C10T applications since the reflector assembly is isolated from the curing zone. If swept reflectors are installed in these applications, blowers that provide additional pressure and flow are required.

I250-series Screen Part Numbers

Description	Heraeus Part Number
RF Screen assembly replacement kit, Quick Change Screen, 10-inch systems	581742

NOTE: The Quick Change Screen (QCS) and the associated reflector are factory installed on irradiators manufactured after May 2011. The new QCS screen will fit on existing reflectors; however, the screws will need to be replaced with the non-captive M3 screws provided in the replacement kit. The screen mounting holes on the new Reflectors have changed to allow use of the new QCS and the captive screws.



I250 Irradiator Components

Reference Designator	Description	Heraeus Part Number
Mag A, Mag B	Magnetron Kit, I250, pair	256041
J10/J11	Harness Assembly, I25x	255183
S201	Switch, Air Pressure	26072
T201	Transformer Kit, filament, 50/60 Hz, I250, front, 7" leads	256021
T202	Transformer Kit, filament, 50/60 Hz, I250, rear, 12" leads	256022
L201/L202	Coil, RF Suppression	257261
A201	Photodetector Assembly kit, direct view	255063
Air Baffles / Air Flanges (not shown)	Air Baffle, I256M only	529131
	Air dam (located behind filament transformers)	276311
	Air Plenum/Flange Assembly, I250	213912
	Air Plenum/Flange Assembly, I251M only	573901
	Air Plenum/Flange Assembly, I252M only	270811
not shown	Handle, utility	30397
not shown	Screw, socket head, M6 (2 per handle)	110821
not shown	Hex nut, plastic, HV connector, J10	254101
not shown	O-ring, silicone, I256M only (air plenum opening)	85975
not shown	Spring, compression, I256M only (for tower mounting)	511391
not shown	Bolt, captive, M8, I256M only (for tower mounting)	511181

K250 Blower Parts

Description	Heraeus Part Number
Bearing/shaft assembly Kit	275231
Belt-timing, 5mm, Power Grip GT, 90 teeth	555071
Filter set, polyester, K250 (set of 5)	235908
Handle, chassis, pocket pull, K250	296252
Harness assembly	257062
Impeller shaft, K250	271371
Motor, ½ HP, 50/60 Hz	245371
Pulley and belt kit, 60 Hz	275236
Pulley and belt kit, 50 Hz	275237
Pulley set screw, M4	555471
Rivet, nylon, 0.25 diameter (10 pieces)	275232
Scroll, replacement kit with rivets	275233
Terminal block, 1-Pole, 4 circuit, gray	254271
Terminal block, 1-Pole, 3 circuit, green/yellow (ground)	254276
Retrofit kit - K250 Modular Blower for I250 irradiator system (includes K250 and components for 50/60Hz operation)	275701

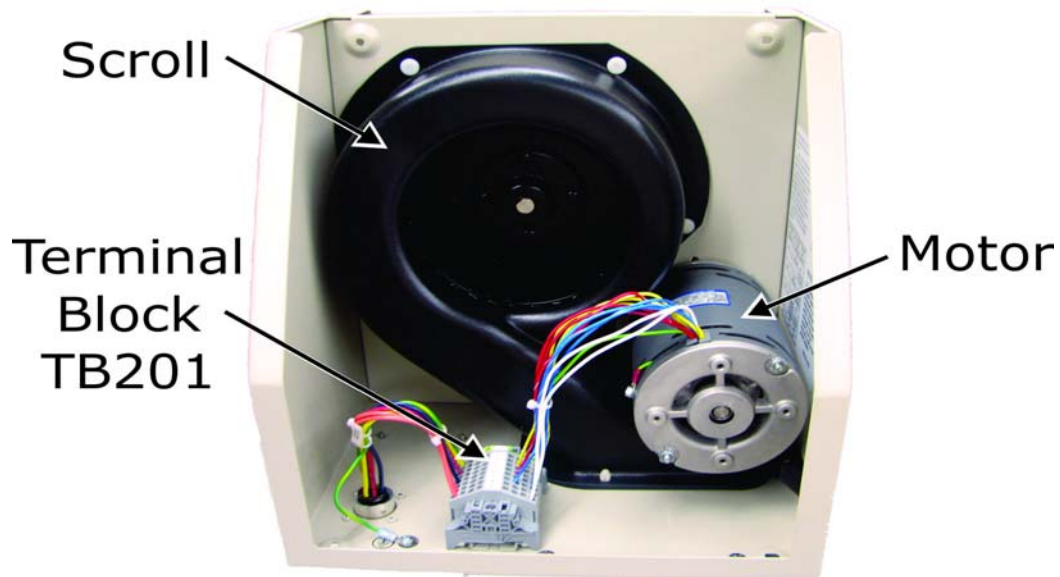
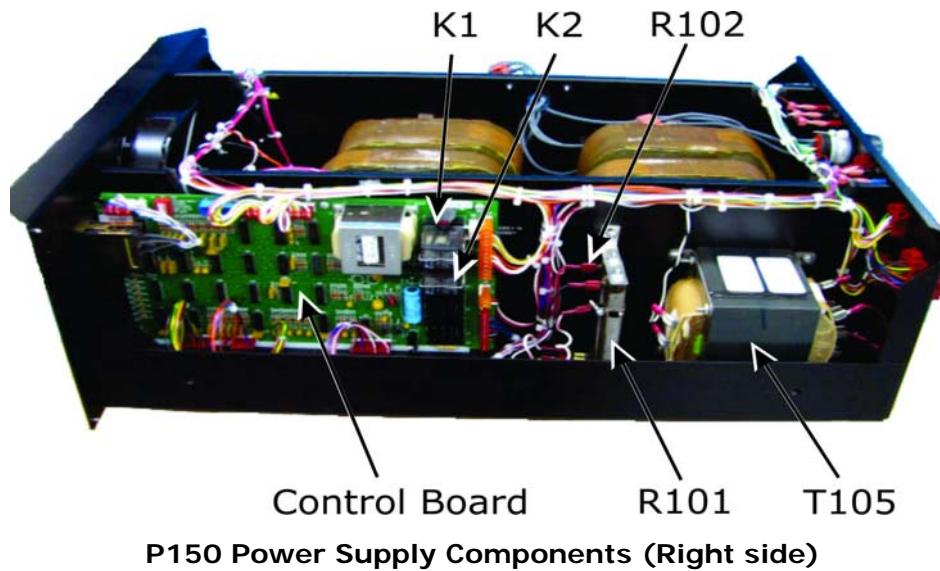
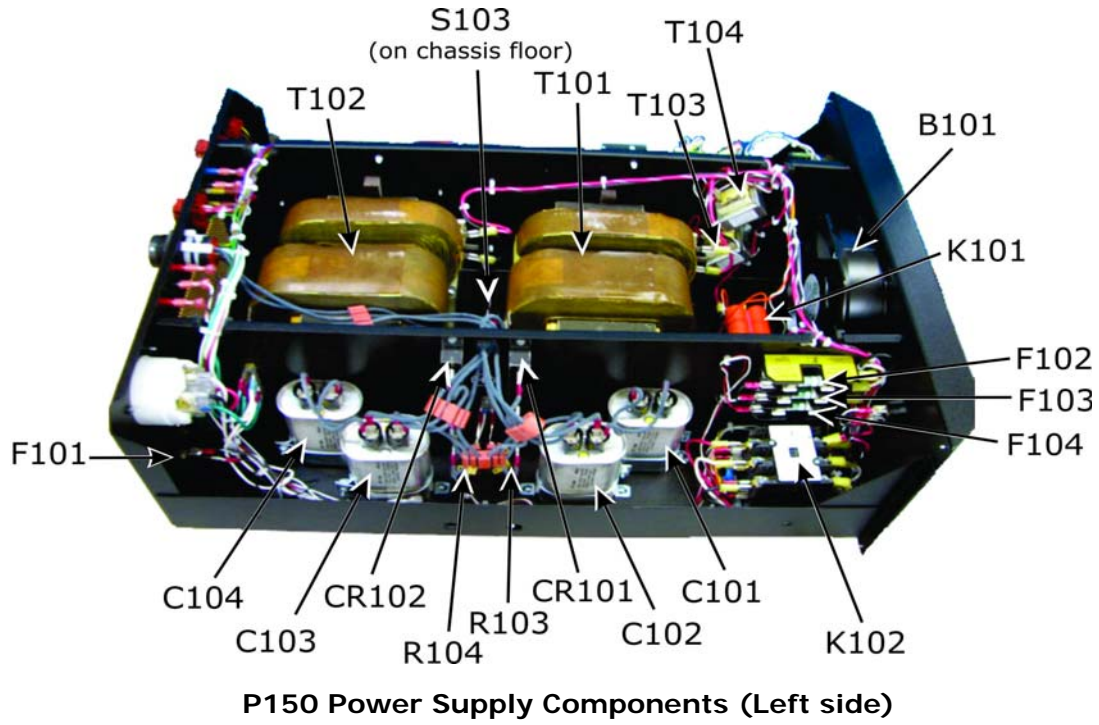


Figure 46: K250 Blower

P150 Power Supply Parts





P150 Power Supply Component (Front and rear)

P150 Power Supply Parts

Reference Designator	Description	Heraeus Part Number
DS101	Bulb, Midget (for Lamp Control Switch, S102)	26262
C101, C104	Capacitor, 1.17 MFD, 2 KV (50 Hz)	27087
C102, C103	Capacitor, 1.13 MFD, 2 KV (50 Hz)	81312
C101-C104	Capacitor, 1.13 MFD, 2 KV (60 Hz)	81312
K102	Contacting/Suppressor Assy, 3PDT, 600 VAC, 25 A, 120 VAC coil	38221UV
	Control Card kit, P150	260432
CR101, CR102	Diode, dual, 10 KV, 700 mA	28221UV
B101	Fan-Tube Axial, 230 cfm, 115V, 50/60 Hz	29234
not shown	Fan guard, 6-inch (for B101)	96615
F101	Fuse, 4A, 250 V (on rear panel)	24911
F101	Fuse holder, panel, 4A, 250 V (on rear panel)	23503
F102-F104	Fuse, 4.0 A, 250 V, FNM (for 200/240 V systems)	96931
F102-F104	Fuse, 2.0A, 500 V, FNQ (for 380/480 V systems)	33711
K1, K2	Relay, 4PDT, 12 VDC, socket-mounted	23271
R101 & R102	Resistor Assembly kit, filament control	585581
R103, R104	Resistor, 1 Ohm, 10W, Wirewound	584951
R105-R108 not shown	Resistor, 1 MOhm, 5W, Wirewound (mounted atop C101-C104)	31471
K101, R111/C109, R112/C110, R113	Arc Suppressor Network Assembly (includes 0.05µF capacitors, 2W resistors, and DPDT 30A contactor (K101))	245621
S102	Switch assy, Lamp Control, On/Off/Standby (includes harness W103)	38141
S101	Switch, Power, lever, SPST, 125V, 10 A, Amber	37911
S103	Switch, Thermal Interlock, 240V, 10A	26367
	Test Point, insulated, Black (Mag Com & Photoresistor -)	587781
	Test Point, insulated, Blue (Photoresistor +) (1 used in unit)	587787
	Test Point, insulated, Red (Mag A & Mag B) (2 used in unit)	587783
	Test Point, insulated, Yellow (Filament Test) (2 used in unit)	587785
T101, T102	Transformer kit, HV, 220/240 V, 60 Hz (contains transformer 21861 and wedge)	297311
T101, T102	Transformer kit, HV, 200/220 V, 50 Hz (contains transformer 21871 and wedge)	297314
T101, T102	Transformer kit, HV, 380/415 V, 50 Hz (contains transformer 21872 and wedge)	297315
T101, T102	Transformer, HV, 220/240 V, 60 Hz	21861
T101, T102	Transformer, HV, 460/480 V, 60 Hz	21864
T101, T102	Transformer, HV, 200/220 V, 50 Hz	21871UV
T101, T102	Transformer, HV, 380/415 V, 50 Hz	21872
T101, T102	Transformer, HV, 440 V, 50 Hz	21873

Reference Designator	Description	Heraeus Part Number
T103, T104	Transformer, HV, Current Sensing	part of W108
T105	Transformer, HV, Internal Control Voltage (step down)	40261UV

P155 Power Supply Parts

The following list includes only the P155 components that do not appear on the P150 Parts List or those that differ. Refer to the P150 parts list for replacement parts not listed below.

Reference Designator	Description	Heraeus Part Number
C101-C104	Capacitor, dual, 0.408/0.715 MFD, 2.5 KV	383331*
K103, K104	Contact, mercury	DISCONTINUED
	Control Card kit, P155	260434
mega harness	Harness Assembly, P155 (includes former W101-W105, W109-W111)	246472
K3	Relay, 4PDT, 12 VDC, socket-mounted	23271
R109, R110	Resistor Assembly, 5 Ohm, 12 W	26902
S104	Switch Assembly, power level	49371

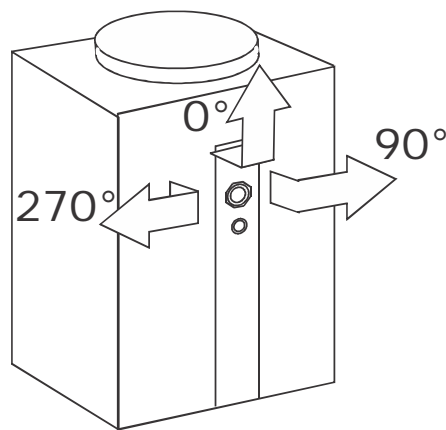
* Replaces part numbers 081312 and 027087 used in the P150 Power Supply.

Cable, Harness, and Wire Assembly Part Numbers

Reference Designator	Description	Heraeus Part Number
H660	Cable, System Interconnections (P106/P107)	38131
W105	Harness Assembly, High voltage (J103/P7)	38161UV
W106	Harness Assembly, 3-phase Entry (J102) (380-480 V)	38171
W106	Harness Assembly, 3-phase Entry (J102) (200-240 V)	38174
W107	Harness Assembly, 3-phase Fuse	38181UV
W108	Harness Assembly, 3-phase Distribution (200-240 VAC) (includes T103/T104)	38191
W108	Harness Assembly, 3-phase Distribution (380-480 VAC) (includes T103/T104)	38192
mega harness	Harness Assembly, P150 (includes former W101-W105, W109-W111) (P1, P3-P11) (J103, J104, J105, J106, J107)	246471

Connectors and Contacts

Reference Designator	Description	Heraeus Part Number
--	Connector Contact Kit, 18-16 gauge (incl. pin contacts for P105, P106 & extraction tool) for F450T/F455T	43041UV
--	Connector Contact Kit, 18-16 gauge (incl. pin and socket contacts for P106 & extraction tool) for F460	43042UV
P102	Connector, Plug, 4-wire, 3-phase, 480 VAC, 30 A	90191UV
P102	Connector, Plug, 4-wire, 3-phase, 250 VAC, 30A	90192UV
J103	Connector, 7 CKT (on rear of power supply)	38973
J104	Connector, 12 CKT (on rear of power supply)	37924UV
J105	Connector, 24 CKT (on rear of power supply)	37926
P105	Connector, Plug, 24 CKT (for slaves)	40081
P105	Pins, Connector Contact, 22/18 AWG, 13A (for P105)	25832
J106/J107	Connector, 9 CKT, (on rear of power supply)	37923
P106/P107	Connector, Plug, 9 CKT, (remote control)	37933
P106	Connector Housing, strain relief	37942UV
J10/P10 Adapter	Adapter, HV Connector, J10/P10, right angle, 0°	509411
	Adapter, HV Connector, J10/P10, right angle, 90°	509412
	Adapter, HV Connector, J10/P10, right angle, 180°	not applicable
	Adapter, HV Connector, J10/P10, right angle, 270°	509414
—	HV Connector Collar repair kit	323841
--	Tool, contact removal	43031



Right Angle Connectors

Miscellaneous Parts

Reference Designator	Description	Heraeus Part Number
RF-1	RF Detector Kit, FHeraeus Noblelight	79961UV
K4, K5	Relay, 4PDT, 12 VDC, socket-mounted (optional)	23271
K4, K5	Relay Retainer Clip	23292

Optional Accessories

Description	System Qty	Heraeus Part Number
Reflector, external end, R500	2	43271
Quartz Plate, high grade, 6 in. x 10 in. x 0.090 in.	1	300292
Quartz Plate, high grade, 6 in. x 12 in. x 0.090 in.	1	300293

Interconnect Cables

Cable lengths not listed in the table below may be available on a custom basis. Contact Heraeus Noblelight America LLC for assistance.

Interconnect Cables

From	To	Description	Length		Heraeus Part Number
			(M)	(Ft)	
P150 Power Supply	I250-series Irradiator without blower	H652 HV/Irradiator Cable Assembly	2	6.6	328431
			4	13	328432
			6	20	328433
			8	26	328434 (std)
			11	36	328435
			14	46	328436
			17	56	328437
			21	69	328438
			26	85	328442
			31	102	328443
P150 Power Supply	I250-series Irradiator with K250 blower	H650B HV/Irradiator Cable Assembly	2	6.6	328461
			4	13	328462
			6	20	328463
			8	26	328464 (std)
			11	36	328465
			14	46	328466
			17	56	328467
			21	69	328468
			26	85	328472
			31	102	328473
P150 Power Supply	RF-1	H690 RF Cable	2	6.5	329191
			4	13	329192
			6	20	329193
			8	26	329194 (std)
			11	36	329195
			14	46	329196
			17	56	329197
			21	69	329198
			26	86	329199
			31	101	329201

Interconnect Cables *(continued)*

From	To	Description	Length		Heraeus Part Number
			(M)	(Ft)	
P150 Power Supply	P150 Power Supply	H660 (F450 System) Interconnect Cable	0.65	2.25	38131 (std)
			3	10	38132
			4	13	38133

Numerical Listing of Replacement Parts

Numerical Listing of F450T Parts

Description	Heraeus Part Number
Transformer, HV, 220/240 V, 60 Hz, T101/T102	21861
Transformer, HV, 460/480 V, 60 Hz (OBSOLETE-REPLACED WITH P/N 21864)	21862
Transformer, HV, 460/480 V, 60 Hz	21864
Transformer, HV, 200/220 V, 50 Hz, T101/T102	21871UV
Transformer, HV, 380/415 V, 50 Hz, T101/T102	21872
Transformer, HV, 440 V, 50 Hz, T101/T102	21873
Relay, 4PDT, 12 VDC, socket-mounted, K1/K2	23271
Contactors, DPDT, 120 VAC, K101	23411
Fuse holder, panel, 4A, 250 V (on rear panel) (F101)	23503
Fuse, 4A, 250 V (on rear panel), F101	24911
Switch, Air Pressure, S201	26072
Bulb, Midget (for Lamp Control Switch, S102)	26262
Switch, Thermal Interlock, 240V, 10A, S103	26367
Capacitor, 1.17 MFD, 2 KV (50 Hz), C101 & C104	27087
Diode, dual, 10 KV, 700 mA, CR101/CR102	28221UV
Fan-Tube Axial, 230 cfm, 115V, 50/60 Hz, B101	29234
End reflector, R500 (1 piece) (standard)	29834
Handle, utility	30397
Resistor, 1 MOhm, 5W, Wirewound, R105-R108 (mounted atop C101-C104)	31471
RF gasket kit	32933UV
Fuse, 2.0A, 500 V, FNQ (for 380/480 V systems), F102-F104	33711
Fuse, 2.0A, 500V, type FNQ (for 380-480 VAC operation), K250	33711
Switch, Power, lever, SPST, 125V, 10 A, Amber, S101	37911
Switch assembly, Lamp Control, On/Off/Standby (includes harness W103), S102	38141
Contactors, 3PDT, 600 VAC, 25 A, 120 VAC coil, K102	38221UV
Transformer, HV, Internal Control Voltage (step down), T105	40261UV
Capacitor, 1.13 MFD, 2 KV (50 Hz), C102 & C103	81312
Capacitor, 1.13 MFD, 2 KV (60 Hz), C101-C104	81312
Fan guard, 6-inch (for B101)	96615
Fuse, 4.0 A, 250 V, FNM (for 200/240 VAC operation), F102-F104	96931
Fuse, 4.0 A, 250 V, type FNM (for 200/240 VAC operation), K250	96931
Air Plenum/Flange Assembly, I250	213912
Filter set, polyester, K250 (5 pieces), K250	235908

Numerical Listing of F450T Parts

Description	Heraeus Part Number
Motor, ½ HP, 50/60 Hz, K250	245371
Arc Suppressor Network Assembly	245621
Hex nut, plastic, HV connector, J10	254101
Terminal block, 1-Pole, 4 circuit, gray, K250	254271
Terminal block, 1-Pole, 3 circuit, green/yellow (ground), K250	254276
Photodetector Assembly kit, direct view, A201	255063
Harness Assembly, I25x, J10/J11	255183
Transformer Kit, filament, 50/60 Hz, I250, front, 7" leads, T201	256021
Transformer Kit, filament, 50/60 Hz, I250, rear, 12" leads, T202	256022
Magnetron Kit, I250, pair	256041
Harness assembly, K250	257062
Coil, RF Suppression, L201/L202	257261
Control Card, P150	260432
Air Plenum/Flange Assembly, I252M only	270811
Impeller shaft, K250	271371
Bearing/shaft assembly kit, K250	275231
Rivet, nylon, 0.25 diameter (10 pieces), K250	275232
Scroll, replacement kit with rivets, K250	275233
Pulley and belt kit, 60 Hz, K250	275236
Pulley and belt kit, 50 Hz, K250	275237
Retrofit kit - K250 Modular Blower for I250 irradiator system (includes K250 and components for 50/60Hz operation)	275701
Air dam (located behind filament transformers)	276311
Transformer kit, HV, 220/240 V, 60 Hz (contains transformer 21861 and wedge)	297311
Transformer kit, HV, 460/480 V, 60 Hz (contains transformer 21862 and wedge)	297312
Transformer kit, HV, 200/220 V, 50 Hz (contains transformer 21871 and wedge)	297314
Transformer kit, HV, 380/415 V, 50 Hz (contains transformer 21872 and wedge)	297315
Air Baffle, I256M only	529131
End Reflector Kit, R500 (1 pair), "209" hole location (includes gaskets)	554253
Belt-timing, 5mm, Power Grip GT, 90 teeth, K250	555071
Pulley set screw, M4, K250	555471
Bulb, UV, BL9H+, 9 mm single bulb (optional)	558491
Bulb, UV, BL9H7, 9 mm single bulb (standard)	558492
Bulb, UV, BL9A7, 9 mm single bulb (optional)	558493
Bulb, UV, BL9D7, 9 mm single bulb (optional)	558494
Bulb, UV, BL9M7, 9 mm single bulb (optional)	558495
Bulb, UV, BL9V7, 9 mm single bulb (optional)	558497

Numerical Listing of F450T Parts

Description	Heraeus Part Number
Bulb, UV, BL9Q7, 9 mm single bulb (optional)	558498
Bulb Kit, 10", BL9H+, 9 mm, 1 bulb *	558501
Bulb Kit, 10", BL9H7, 9 mm, 1 bulb *	558502
Bulb Kit, 10", BL9A7, 9 mm, 1 bulb *	558503
Bulb Kit, 10", BL9D7, 9 mm, 1 bulb *	558504
Bulb Kit, 10", BL9M7, 9 mm, 1 bulb *	558505
Bulb Kit, 10", BL9V7, 9 mm, 1 bulb *	558507
Bulb Kit, 10", BL9Q7, 9 mm, 1 bulb *	558508
Bulb Kit, 10", BL9H+, 9 mm, 2 bulbs *	570261
Bulb Kit, 10", BL9H7, 9 mm, 2 bulbs *	570262
Bulb Kit, 10", BL9D7, 9 mm, 2 bulbs *	570264
Bulb Kit, 10", BL9V7, 9 mm, 2 bulbs *	570267
Bulb Kit, 10", BL9H+, 9 mm, 3 bulbs *	570271
Bulb Kit, 10", BL9H7, 9 mm, 3 bulbs *	570272
Bulb Kit, 10", BL9D7, 9 mm, 3 bulbs *	570274
Bulb Kit, 10", BL9V7, 9 mm, 3 bulbs *	570277
Bulb Lab Kit (contains one each of BL9H7, BL9D7, BL9V7)*	570353
Air Plenum/Flange Assembly, I251M only	573901
RF Screen assembly replacement kit, Quick Change Screen, 10-inch systems	581742
Reflector assembly kit, R500, non-swept (includes main QCS reflector, 2 R500 end reflectors and gaskets)	581791
Reflector assembly kit, R500, swept (includes main QCS reflector, two R500 end reflectors and gaskets) (standard)	581792
Resistor, 1 Ohm, 10W, Wirewound, R103/R104	584951
Resistor Assembly kit, R101 & R102	585581
Test Point, insulated, Black (Mag Com & Photoresistor -)	587781
Test Point, insulated, Red (Mag A & Mag B) (2 used in unit)	587783
Test Point, insulated, Yellow (Filament Test) (2 used in unit)	587785
Test Point, insulated, Blue (Photoresistor +) (1 used in unit)	587787
Reflector assembly kit, Dichroic (cold/R500) (includes dichroic main QCS reflector, 2 R500 end reflectors and gaskets)	589991
I250 Basic PM kit, contains 9 mm UV bulb (BL9H7), QCS RF screen kit, and QCS R500 swept reflector kit	591205
I250 Basic PM kit, contains 9 mm UV bulb (BL9D7), QCS RF screen kit, and QCS R500 swept reflector kit	591206
I250 Deluxe PM kit, contains 9 mm H bulb (BL9H7), QCS RF screen kit, QCS R500 swept reflector kit, I25x magnetron kit, photodetector, and pressure switch	591225
I250 Deluxe PM kit, contains 9 mm D bulb (BL9D7), QCS RF screen kit, QCS R500 swept reflector kit, I25x magnetron kit, photodetector, and pressure switch	591226

Numerical Listing of F450T Parts

Description	Heraeus Part Number
Reflector assembly kit, Dichroic Plus, non-swept (cold/R500) (includes dichroic main QCS reflector, 2 R500 end reflectors and gaskets), 125x	80121747
Reflector assembly kit, Dichroic Plus, non-swept "209" (cold/R500) (includes dichroic main QCS reflector, 2 R500 "209" end reflectors and gaskets), 125x	80122230

Heraeus Noblelight America LLC

910 Clopper Road
Gaithersburg, MD 20878-1357 USA
www.heraeus-noblelight.com/fusionuv

Phone: +1 301-527-2660
Fax: (Technical Service) +1 301-527-2663
Fax: (Sales) +1 301-527-2661
email: info.hna.uvp@heraeus.com

Heraeus Noblelight GmbH

Heraeusstraße 12-14
63450 Hanau, Germany

Phone: +49 6181 35 4966
Fax: +49 6181 35 9926
email: hng-uv@heraeus.com

Heraeus K.K.

Noblelight Division
Sumitomo Fudosan Otowa
Bldg. 1F, 2F, 5F
2-9-3 Otsuka, Bunkyo-ku,
112-0012, Tokyo Japan

Phone: +81 3 6902 6602
Fax: +81 3 6902 6613
email: info.hkk@heraeus.com

Heraeus Noblelight (Shenyang) Ltd.

Shanghai Branch
Building 5, No. 406
Guilin Road Xuhui District
200233 Shanghai, P.R. China

Phone: +86 (0) 21 5445 2255
Fax: +86 (0) 21 5445 2410
email: info.hns@heraeus.com